

# aquaticparts

**Pool \* Spa \* Pond \* Waterfall \* Fountain  
Spa Covers \* Ice Tubs**

**PRODUCT CATALOG 2024 2-12-24**



**Zapp Pure<sup>tm</sup>  
ZP<sub>2</sub> Series**



**Zapp Heat<sup>tm</sup>  
ZH<sub>2</sub>**



**All-New  
Zapp 03<sup>tm</sup>**

**11603 Mitchell Bend Court Granbury, Texas 76048**

**Office: 817-573-2012**

**email: [connieapllc@gmail.com](mailto:connieapllc@gmail.com)**

# **ZP<sub>2</sub> Zapp Pure<sup>tm</sup>**

clean water system **UV System**

## **Engineered for cleaner, healthier Pool, Pond, Fountain Water**

Water circulates thru the ZP2 chamber and around our NSF high intensity, lamps immediately inactivate 99.9% of micro-organisms such as crypto, giardia and algae which resistant to chlorine. Dramatically reduces the amount of other sanitizers being used, to provide cleaner, clearer water environment with zero harmful by-products.

- **Simple-Effective-Safe**
- **Low Maintenance**
- **Clean Water**
- **Energy Saving**

### **Specifications**

- HDPE BLACK finish Standard
- 110v power
- UL power cord 10 ft
- 2" inlet / outlet
- 6" Diameter
- No flow restriction
- High Intensity UV lamp
- Quartz Sleeve
- Aluminum heat sink
- Leak/Tight fitting
- Lamp changing is easy.

## **Water Sanitizer Magnum Series**



<b>AP-ZP2400-M6</b>	<b>48 watt single lamp</b>	2 in 48GPM	\$ 1,635
<b>AP-ZP3300-M6</b>	<b>75 watt single lamp</b>	2 in 60GPM	\$ 1,965
<b>AP-ZP4400-M6</b>	<b>95 watt single lamp</b>	2 in 75GPM	\$ 2,175

**ETL / NSF applied / pending** net pricing / call for volume pricing

**Pricing subject to change without notice, email for current pricing and availability**

# ZP<sub>2</sub> Zapp Pure<sup>tm</sup>

clean water system **UV System**

## Water Sanitizer XLT Series

- Simple-Effective-Safe
- Low Maintenance
- Clean Water
- Energy Saving

### Specifications

- Stainless Steel
- Powder Coated finish
- Standard 110v power
- UL power cord 10 ft
- 3" inlet / outlet
- 6" Diameter
- No flow restriction
- High Intensity UV lamp
- Quartz Sleeve
- Aluminum heat sink
- Leak/Tight fitting
- **Dual Lamp**
- Lamp changing is easy.



AP-ZP2402-XLT6	48 watt each lamp	3 in	55GPM	\$ 1,945
AP-ZP3302-XLT6	75 watt each lamp	3 in	90GPM	\$ 2,375
AP-ZP8800-XLT6	95 watt each lamp	3 in	130GPM	\$ 3,075

**ETL / NSF applied / pending** net pricing / call for volume pricing

Pricing subject to change without notice, email for current pricing and availability

# ZP<sub>2</sub> Zapp Pure™

clean water system **UV System**

- Simple-Effective-Safe
- Low Maintenance
- Clean Water
- Energy Saving

## Water Sanitizer Premium Series



### Specifications

- Stainless Steel
- Brushed Hand-Polished finish
- *This finish requires maintenance*
- Standard 110v power
- UL power cord 10 ft
- 3" inlet / outlet
- 6" Diameter
- No flow restriction
- High Intensity UV lamp
- Quartz Sleeve
- Aluminum heat sink
- Leak/Tight fitting
- **Dual Lamp**
- Lamp changing is easy.

AP-ZP2402-P6	48 watt each lamp	3 in 55GPM	\$ 2,355
AP-ZP3302-P6	75 watt each lamp	3 in 90GPM	\$ 2,695
AP-ZP8802-P6	95 watt each lamp	3 in 130GPM	\$ 3,390
AP-ZP9900-P8	95 watt each lamp	3 in 175GPM	\$ 6,800**

\*\* 4 Lamp Special Order eta 3-4 weeks from PO

**ETL / NSF applied / pending** net pricing / call for volume pricing

**Pricing subject to change without notice, email for current pricing and availability**

# **ZP<sub>2</sub> Zapp Pure<sup>tm</sup>**

## **ZP2 Water Sanitizer Ultra Series**

- Simple-Effective-Safe
- Low Maintenance
- Clean Water
- Energy Saving

### **Specifications**

- Standard 110v Power
- UL power cord 10 ft
- 2" inlet / outlet
- 10" Diameter
- no flow restriction
- High Intensity UV lamp
- Quartz Sleeve
- Aluminum heat sink
- Leak/Tight fitting
- **Dual Lamp**
- Lamp changing is easy



**AP-ZP ULTRA UV2 75 watt each lamp 2 in 90GPM \$1,405**

**ETL / NSF applied / pending net pricing / call for volume pricing**

**Pricing subject to change without notice, email for current pricing and availability**



# Zapp Heat<sup>tm</sup>

## Pond, Pool, Spa, and Fountain

- Digital
- Energy Efficient
- Trouble-Free



**ZH2 6kw, 11kw, 18kw**

18 KW	Digital Zapp Heater	240v	100 amp	ZH-18	\$1,955*
11 KW	Digital Zapp Heater	240v	70 amp	ZH-11	\$1,679*
6 KW	Digital Zapp Heater	240v	50 amp	ZH-6	\$1,602*

\* note - new digital ZH design, **must be wire by electrical contractor**

- Digital
- Energy Efficient
- Trouble-Free
- UL Power cord plug



1.5 KW	Digital Zapp Heater	120v	20 amp	ZH-1	\$1,300
--------	---------------------	------	--------	------	---------

**call for volume pricing**

**Pricing subject to change without notice, email for current pricing and availability**

# Zapp ZP<sub>2</sub> Pre-Filter

## Specifications

- Stainless Steel
- Brushed Hand-Polished finish
- *This finish requires maintenance*
- 3" Plumbing in / out
- Removable Strainer Basket



Zapp SS Pre-Filter 3in

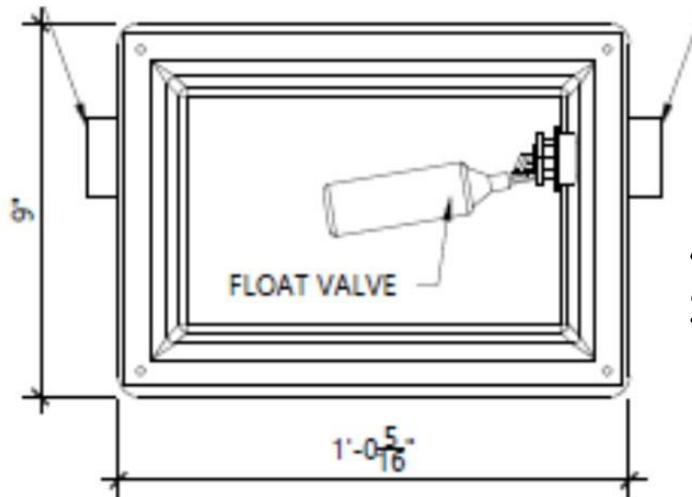
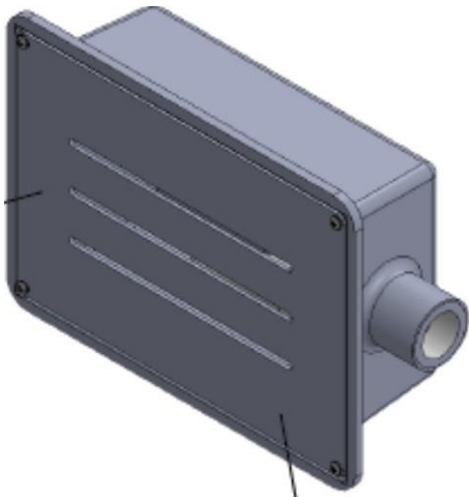
ZSS-PF-3

\$1,386

---

## Pool, Spa, Pond and Fountain

### Side Wall Auto Fill Overflow System



AP-SWAF  
\$480

Fiberglass body Plastic front plate **BLACK**  
float valve assy, 1" fresh water, 1" overflow

**call for volume pricing**

**Pricing subject to change without notice, email for current pricing and availability**

# **ZP<sub>2</sub> Portable Deck Vac**

## **Pool, Spa, Pond and Fountain**

- Sturdy
- Easy to roll
- Powerful

**AP-PVS-75** 30 ft power cord GFCI,  
1 hp pump, 75 cartridge filter **\$ 2,145**

**AP-PVS-100** 30 ft power cord GFCI,  
1.5 hp pump, 100 cartridge filter **\$ 2,428**



## **ZP<sub>2</sub> Pond Pump & Filter System**



- pre-plumbed
- on our plastic skid
- 10 ft UL power cord

**APK2 1 hp Pump on skid w/ 75 sq ft cartridge filter \$799**

**APK2 1½ hp Pump on skid w/ 135 sq ft cartridge filter \$889**

**call for volume pricing**

**Pricing subject to change without notice, email for current pricing and availability**



# ZP<sub>3</sub> Ice Tubs<sup>tm</sup>

The latest health trend in the health and wellness community, that's gaining huge traction around the landscape, pond, spa, pool industry, **Cold Water Immersion (CWI)**

- 68 in. W x 28 in. D x 23 in. H
- 70 Gallons
- Clean Black Plastic Int Finish
- Tub has High Water Overflow
- Simple Plumbing
- SS Frame
- Powder Coated
- Trimmed in Mahogany
- Tub Cover (color lite grey)
- 120 volt power cord



**ZP<sub>3</sub>**  
**Ice Tub**

**Single #**  
**241001E**

**\$5,900**

**ZP<sub>3</sub>**  
**Ice Tub**

**Single #**  
**241002C**

**\$6,700**



- 72 in. W x 24 in. D x 23 in. H
- 90 Gallons
- Clean White Acrylic Int Finish
- Tub Mounted on Mahogany Base
- High Water Overflow
- Simple Plumbing
- Chiller has SS Frame
- Powder Coated
- Trimmed in Mahogany
- Tub Cover (color lite white)
- 120 volt power cord

- 67 in. W x 31 in. D x 23 in. H
- 110 Gallons
- Clean White Acrylic Interior Finish
- Tub Mounted on Mahogany Base
- High Water Overflow
- Simple Plumbing
- Chiller has SS Frame
- Powder Coated
- Trimmed in Mahogany
- Tub Cover (color lite white)
- 120 volt power cord



**ZP<sub>3</sub>**  
**Ice Tub**

**Single #**  
**241003C**

**\$7,400**

**Pricing subject to change without notice, email for current pricing and availability**



- 67 in. W x 29 in. D x 23 in. H
- 95 Gallons
- Clean Black Plastic Int Finish
- Tub has High Water Overflow
- Simple Plumbing
- Chiller has SS Frame
- Powder Coated
- Trimmed in Mahogany
- Tub Cover (color lite white)
- 120 volt power cord

**ZP<sub>3</sub> Ice Tub      Single    # 241004-C                      \$7,200**

## **ZP<sub>3</sub> Lite Commercial Chillers**

*Great for ponds, hot tubs or just “chilling”*



- 1/2 hp
- flow rate 15 GPM
- digital temp control
- digital remote
- 120 volt power cord

**ZP<sub>2</sub> Lite Chiller                      # 242000                      \$2,975**



**ZP<sub>2</sub> Lite Chiller  
In Mahogany Cabinet**

**# 242001**

**\$4,975**

**Pricing subject to change without notice, email for current pricing and availability**

# Support, Pricing and Terms of sale POLICY

Our wholesale pricing is designed to simplify customer communications.

**PRICING:** Wholesale List pricing Catalog

Your cost discount x \_\_\_\_\_  
**territory manager** \_\_\_\_\_  
& cell # \_\_\_\_\_

for shop drawing, design or tech support

**contact office** (817) 573-2012

**email:** [connieapllc@gmail.com](mailto:connieapllc@gmail.com)

**REQUEST** - Samples, Marketing Product catalogs, Trade show - [email: connieapllc@gmail.com](mailto:connieapllc@gmail.com)

**TERMS:** Dealers/Contractors check or credit card with PO / order

(credit card payment subject to standard bank fee . 035% CC charge)

**FREIGHT:** FOB factory - email for freight quotes [connieapllc@gmail.com](mailto:connieapllc@gmail.com)

**ORDERS:** To place an order and check inventory availability

**WARRANTY:** All products in this catalog are covered by our 1 year

**RETURNS;** 50% restock and Customer pay's freight back

**TECH SUPPORT;** 9 am - 3 pm EST **email** - [connieapllc@gmail.com](mailto:connieapllc@gmail.com)

If you can't find it here, **tell us what you need.**

**We'll find it or we'll make it !!**

# aquaticparts

pond-waterfall-fountain-ice baths-spa covers

11603 Mitchell Bend Court Granbury, Texas 76048

817-573-2012 **office email** [connieapllc@gmail.com](mailto:connieapllc@gmail.com)

Check out our web site and review our other group of companies !

**[www.thesoutheasterngroup.com](http://www.thesoutheasterngroup.com)**