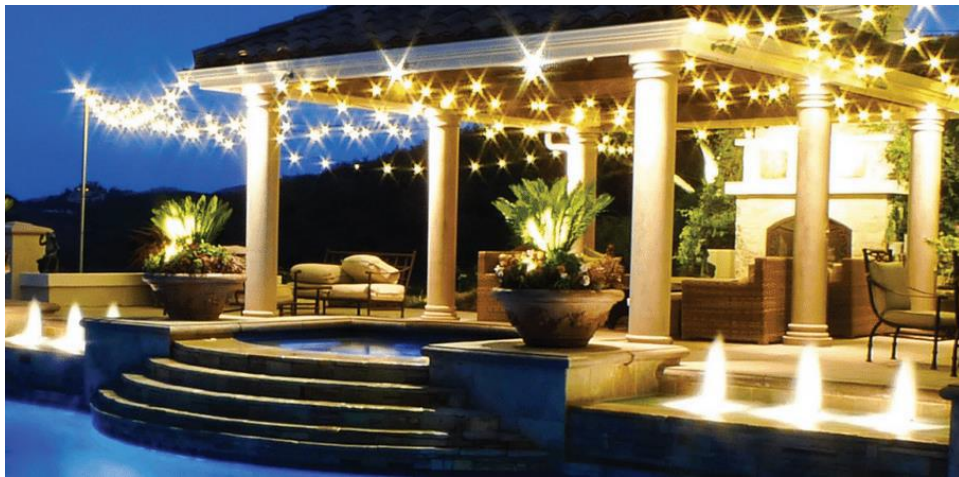




Fountain Equipment Group

2024 product catalog

Lighting, Water Features, Equipment



Orders, current stocked inventory, tech support - email; mcwo3llc@gmail.com

Note: Pricing subject to change without notice

Page 1

Outdoor Lighting Made "Easy"



MINI SPOT 3 WATT
3.74"ht x 5.11"dia.

FEG-MINI-512-C Color RGBW 12 volt DC 3 watt, 20 ft power cord **\$325**



SPOT 6 WATT
5.31"ht x 6.18"dia.

FEG-SPOT-6-C Color RGBW 24 volt DC 6 watt, 20 ft power cord **\$340**



SPOT 9 WATT
5.31"ht x 6.18"dia.

FEG-SPOT-9-C Color RGBW 24 volt DC 9 watt, 20 ft power cord **\$425**



SPOT 12 WATT
6.69"ht x 7.67"dia.

FEG-LED12-C Color RGBW 24 volt DC, 12 watt 20 ft power cord **\$475**

Orders, current stocked inventory, tech support - email; mcwo3llc@gmail.com

Note: Pricing subject to change without notice

Page 2



SPOT 18 WATT 5.31"ht x 6.18"dia.

FEG-LED18-C Color RGBW 24 volt DC, 18 watt 20 ft power cord **\$555**



SPOT 27 WATT 5.70"ht x 6.10"dia.

FEG-SPOT9-512-27-C Color RGBW, 24 volt DC, 27 watt, 20 ft power cord **\$583**



SPOT 36 WATT 6.69"ht x 7.67"dia.

FEG-SPOT9-512-36-C Color RGBW, 24 volt DC, 36 watt, 20 ft power cord **\$650**



SPOT 54 WATT 8.46"ht x 9.01"dia.

FEG-SPOT-18-512-54-C Color RGBW, 24 volt DC, 54 watt, 20 ft cord **\$700**

Orders, current stocked inventory, tech support - email; mcwo3llc@gmail.com

Note: Pricing subject to change without notice



FOUNTAIN RING LIGHT 18 WATT

Center Nozzle 1.65" dia. 7.08 x 2.87" dia.

FEG-FL18-RGB

Color RGBW, 24 volt DC, 18 watt, 20 ft power cord **\$725**



FOUNTAIN RING LIGHT 36 WATT

Center Nozzle 3.14" dia. 9.84 x 2.99" dia.

FEG-FL36-RGB

Color RGBW, 24 volt DC, 36 watt, 20 ft power cord **\$825**



RECESSED LIGHT 9 WATT

6.61 x 5.31" dia.

FEG-RL9-9-RGB

Color RGBW, 24 volt DC, 9 watt, 20 ft power cord **\$445**



RECESSED LIGHT 15 WATT

8.26 x 4.33" dia.

FEG-RL-15-RGB

Color RGBW, 24 volt DC, 15 watt, 20 ft power cord **\$525**



RECESSED LIGHT 24 WATT

9.84 x 4.72" dia.

FEG-RL-24-RGB

Color RGBW, 24 volt DC, 24 watt, 20 ft cord **\$635**

Orders, current stocked inventory, tech support - email; mcwo3llc@gmail.com

Note: Pricing subject to change without notice

Page 4

Outdoor- Landscape IP65 Wall Washer



LINEAR WALL WASHER 40 WATT

IP 65 ALUMINUM

L 39.37" X W 1.77" X H 2.44"

FEG-LW18-40

Cool white, 24 volt DC, 40 watt, 20 ft cord

\$555

FEG-LW18-40-RGBW

Color RGBW, 24 volt DC, 40 watt, 20 ft cord

\$645



LINEAR WALL WASHER 72 WATT

IP 65 ALUMINUM

L 39.17" X W 2.67" X H 3.14"

FEG-LW24-72

Cool white, 24 volt DC, 72 watt, 20 ft cord

\$655

FEG-LW24-72-RGBW

Color BGBW, 24 volt DC, 72 watt, 20 ft cord

\$735



LINEAR Submersible WALL WASHER 36 WATT

304 Stainless Steel

L 41.33" X W 4.52" X H 4.13"

FEG-UWW-36

Cool white, 24 volt DC, 108 watt, 20 ft cord

\$825

FEG-UWW-36-RGBW

Color BGBW, 24 volt DC, 108 watt, 20 ft cord

\$916

Orders, current stocked inventory, tech support - email; mcwo3llc@gmail.com

Note: Pricing subject to change without notice

Page 5

Jets, Nozzles and Water Features



PF 1156

Pond Aeration 4 in

BRASS
FEG-400 4 in FPT \$900



Cluster Nozzle Straight Up

			BRASS	STAINLESS
FEG-500-1	Cluster nozzle	1.5 in FPT	\$435	\$485
FEG-500-2	Cluster nozzle	2 in FPT	\$485	\$525

Orders, current stocked inventory, tech support - email; mcwo3llc@gmail.com

Note: Pricing subject to change without notice

Page 6



**FEG-380-1-SS
Stainless Steel**

1 in MPT Foam Jet **\$240**



**FEG-380-1.5-SS
Stainless Steel**

1.5 in MPT Foam Jet **\$340**



**Pond, Fountain
Cascade Frothy Nozzle
Stainless Steel**

- FEG-500-1** cascade style frothy nozzle, 1 in FPT **\$145**
- FEG-500-2** cascade style frothy nozzle, 1.5 in FPT **\$205**
- FEG-500-3** cascade style frothy nozzle, 2 in FPT **\$295**
- FEG-500-4** cascade style frothy nozzle, 2.5 in FPT **\$495**
- FEG-500-5** cascade style frothy nozzle, 3 in FPT **\$695**

We have over 200 additional pond-fountain jet / nozzle available. Click here: [FountainTek](#)

Orders, current stocked inventory, tech support - email; mcwo3llc@gmail.com

Note: Pricing subject to change without notice



PF 1201 (Parrot)



PF 1205 (Parrot)



Rotating Dancing Nozzle

FEG-1200-1 1 in FPT **Stainless Steel** Dancing Nozzle *\$ email for pricing*

FEG-1200-2 1 in FPT **Brass** Dancing Nozzle *\$ email for pricing*



Rotating Cactus Nozzle

FEG-1300-1 1 in FPT Rotating Cactus Nozzle

BRASS

\$425

STAINLESS

STEEL

\$515

FEG-1300-2 1.5 in FPT Rotating Cactus Nozzle

\$525

\$615

Orders, current stocked inventory, tech support - email; mcwo3llc@gmail.com

Note: Pricing subject to change without notice

Page 8



Crystal Ball Nozzle

- FEG-1400-1 1 in fixed FPT Crystal Ball Nozzle
- FEG-1400-2 2 in fixed FPT Crystal Ball Nozzle

	BRASS	STAINLESS STEEL
FEG-1400-1	\$1,100	\$1,325
FEG-1400-2	\$1,310	\$1,575



Diamond Water Jet w/ RGBW LED

BRASS ONLY

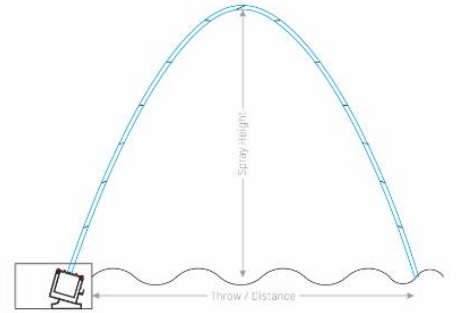
- FEG-2000-1 Diamond water jet, 2 in FPT water only
- FEG-2000-2 Diamond water jet, 3 in FPT water and RGBW LED
- FEG-2000-4 Diamond water jet, 4 in FPT water and RGBW LED

\$ email for pricing

Orders, current stocked inventory, tech support - email; mcwo3llc@gmail.com

Note: Pricing subject to change without notice

Page 9



Laminar Water Jet w/ RGBW LED STAINLESS STEEL

- | | | |
|-------------------|---|----------------|
| FEG-3000-1 | Laminar Jet cool white LED, 10 watt,
24 volt, 20 ft power cord, 1 in FPT bottom water feed | \$7,035 |
| FEG-3000-2 | Laminar Jet RGBW LED, 10 watt, 24 volt,
20 ft power cord, 1 in FPT bottom water feed | \$8,235 |



WaterFall Scuppers

- | | | |
|-------------------|--|----------------|
| FEG-WFS-12 | 12 in wide x 5 in x 8 in
316 stainless steel bottom 1.5in FPT | \$1,600 |
| FEG-WFS-16 | 16 in wide x 5 in x 8 in
316 stainless steel bottom 1.5in FPT | \$1,900 |
| FEG-WFS-20 | 20 in wide x 5 in x 8 in
316 stainless steel bottom 1.5in FPT | \$2,200 |
| FEG-WFS-40 | 40 in wide x 5 in x 8 in
316 stainless steel bottom 1.5in FPT | \$3,200 |

Orders, current stocked inventory, tech support - email; mcwo3llc@gmail.com

Note: Pricing subject to change without notice

Page 10



Deck Mount 316 Stainless Steel Waterfall

- | | | |
|-------------------|--|----------------|
| FEG-3000-1 | Water Fall height 26 in, operates @ 56 GPM | \$2,975 |
| FEG-3000-2 | Water Fall height 28 in, operates @ 72 GPM | \$3,570 |



Deck Mount 316 Stainless Steel Spillway Waterfall

- | | | |
|-------------------|---|----------------|
| FEG-4000-1 | height 26 in x 17 in x 17 in
operates @ 45 GPM | \$3,075 |
| FEG-4000-2 | height 28 in x 19 in x 19 in
operates @ 65 GPM | \$3,688 |

Orders, current stocked inventory, tech support - email; mcwo3llc@gmail.com

Note: Pricing subject to change without notice

CONTROLLERS and ACCESSORIES



FEG-BT-10
FEG-BT-10R

REMOTE \$230

- Control using your smartphone or an RF remote control
- Connects via Bluetooth and uses the Happy Lighting app
- Dynamic or static color modes
- Customized color, brightness, speed, and timer settings
- 98.4 ft Communication range
- Music sound control capability using app
- 10 Amps/channel

Orders, current stocked inventory, tech support - email; mcwo3llc@gmail.com

Note: Pricing subject to change without notice

Page 12



FEG-DMX-RM

\$378

- DMX512 Controller
- Pixels: 50 pixels,170 pixels max.
- Lamp type can be controlled: wall washing, light, tube light,
- Underwater light, Underground light Control mode: Asynchronous full-color control
- Remote distance: 50M
- Description: Fixed 30 modes flash, fade, streamy, chase, etc.

WIFI Controllers and RF

FEG-WIFI-5 \$186



- 5in 1 WB5 2.4GHz WiFi PWM LED Controller
- Compatible with Alexa, Google, Home Smart Life, Tuya Smart APP
- Control For Dimming CCT RGB RGBW RGB CCT LED
- RF Remote 5Amp DC12V-24V

Orders, current stocked inventory, tech support - email; mcwo3llc@gmail.com

Note: Pricing subject to change without notice

Page 13

DMX Controllers

RS232 for Home Automation Integration

FEG-512-RS232

\$1,500

- New glass design
- Graphical color display
- Color/dimmer/speed palette
- Touch sensitive buttons
- Touch sensitive wheel
- Multi-zone microSD memory (500 scenes, 10 zones)
- 1024 DMX channels
- USB & Ethernet connectivity
- RS232, ports, infra-red
- Clock and calendar
- Network communication
- Catalog of designs
- Windows / Mac software / iPhone / iPad / Android



Orders, current stocked inventory, tech support - email; mcwo3llc@gmail.com

Note: Pricing subject to change without notice

Page 14

DMX Controller



FEG-DMX-SA
\$1,500

- Featuring RDM DMX (512 channels expandable to 1024) as well as a built-in
- WIFI connection, our latest standalone controller
- Mechanical 3 buttons
- Internal connector HE10
- Port triggers 8
- Smartphone / tablet control
- Number of scenes 99 Number of zones 1
- Standalone memory 100k
- Memory capacity (20 ch.) 3935 steps
- Memory capacity (60 ch.) 1550 steps Memory capacity (512 ch.) 190 steps
- Power voltage 5-5.5V DC
- Power connector USB Type-C

Orders, current stocked inventory, tech support - email; mcwo3llc@gmail.com

DMX Channel Decoders

DMX 4 Channel Decoder

FEG-DECO-4 **\$155**



- Output: SPI (TTL)
- Dimming Protocol: DMX
- Compatible ICs: WS2811, WS2812, UCS1903, UCS1909, UCS1912, UCS2903, UCS2909, TM1803, TM1804, TM1809, TM1812
- Dimming Range: 0~100%, Dimming Curve: Linear
- Driver Configuration: Dip Switches

32 Channel Decoder

FEG-CD **\$355**



- Decoder 96A RGBW
- DMX 512 LED Decoder Controller
- DMX Dimmer DC5-24V RGBW RGB LED
- Light 8 Bit/16 Bit

Orders, current stocked inventory, tech support - email; mcwo3llc@gmail.com

Amplifiers

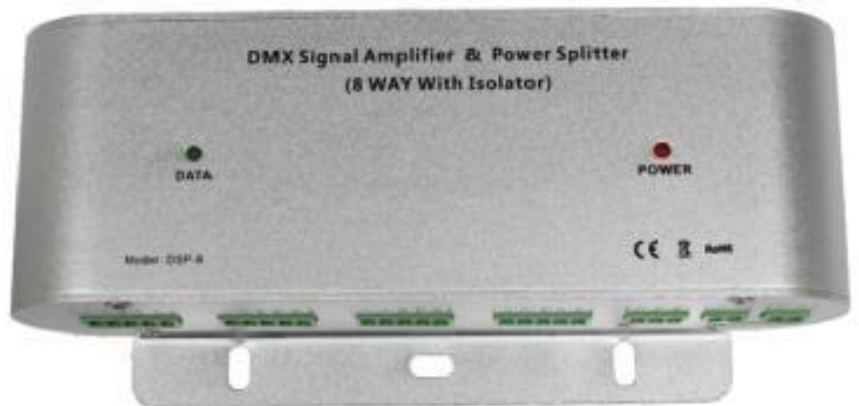
Waterproof DMX Signal Amplifier

FEG-WP-AMP \$80



- Size: L100*W60*H30mm
- Function: To amplify the DMX signal
- Input Voltage: AC12V / DC12 / DC24V / AC24V
- Output Signal: DMX512
- Working Temperature: -30°C-65°C
- IP Grade: IP68

FEG-AMP-8 \$350



- 8 Way DMX Signal Amplifier and Power Splitter
- Size: L165*W55*H40mm
- Input Signal: DMX512
- Input Voltage: AC12V / DC12 / DC24V / AC24V
- Output Signal: 8way DMX512 Signal Amplifier with Isolator
- Output Voltage: 8way AC/DC 12-24V

Orders, current stocked inventory, tech support - email; mcwo3llc@gmail.com

DMX Address Editor/ DMX writer/DMX coder

FEG-WTR \$75



- Size: L100*W68*H40mm
- Function: Sets DMX address / channels for lamps before installation
- Input Voltage: AC12V / DC12 / DC24V / AC24V
- Output Signal: DMX512
- Working Temperature: -30°C-65°C
- IP Grade: IP20

DMX512 LED Signal Splitter Amplifier Distributor

FEG-AMP-8-XLR \$131



- 1-Way 8-Channel 3-Pin
- Output with Signal Indicator
- independent DMX signal ground
- DMX512 signal distribution function
- Separate inductors power cable
- multi-level sharing after a DMX control system
- DMX512 signal amplification function and prolong the DMX signal transmission distance
- the standard DMX independent distribution amplifier.
- Eight independent isolated output function, to avoid the system after the class DMX signal interference and sabotage
- One input, eight independent DMX signal

Orders, current stocked inventory, tech support - email; mcwo3llc@gmail.com

Junction Boxes

FEG-JB-8-B

\$518

- Brass Junction Box
- Cord Seal with Potting Compound
- 1 in bottom x (8) ½ in sides
- cord seals or plugs included



FEG-JB-4-B

\$398

- Stainless Steel Junction Box
- Cord Seal with Potting Compound
- 1 in bottom x (4) ½ in sides
- cord seals or plugs included

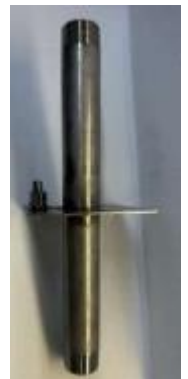


FEG-SP-1

\$208

- 1 in x 12 in MPT
- w/ water stop & grounding bond lug
- Additional penetration available
- email mcwo3llc@gmail.com for pricing

**Junction Box
Slab
Penetration**



Orders, current stocked inventory, tech support - email; mcwo3llc@gmail.com

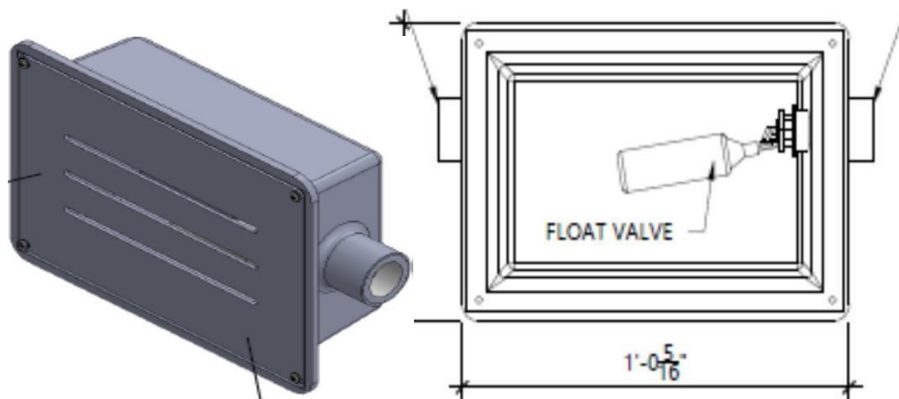
Note: Pricing subject to change without notice

Page 19

Pond - Fountain - Pool Side Wall Auto / Overflow System

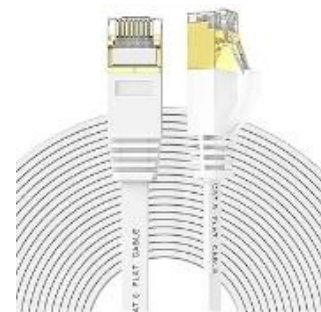
FEG-FT-SWAF \$495

- 1in slip coupling
- Fresh-water feed
- and Overflow connection



CAT 6 Ethernet Cable

- White high speed snaggles patch cord
- flexible, network, LAN, PoE
- standard RJ45 connector for PC, Server, Router, Modem



FEG-C6C-100	100' cable	\$49
FEG-C6C-50	60' cable	\$35
FEG-C6C-25	25' cable	\$40
FEG-C6C-10	10' cable	\$30
FEG-C6C-1	1' cable	\$9

Orders, current stocked inventory, tech support - email; mcwo3llc@gmail.com

Note: Pricing subject to change without notice

Page 20

Power Supply 12-24 volt DC



- 90~305VAC input
- built-in active PFC function
- Constant current output with high output voltage >60VDC
- Metal case, IP67/IP65 design for indoor or outdoor installations.
- Function options: output adjustable via potentiometer;
- 3 in 1 dimming (1~10Vdc or 10V PWM signal or resistance);
- timer dimming; smart timer, dimming
- Type "HL" LED drivers for use in Class I, Division 2 hazardous (Classified) location luminaries (HLG-240H-C/320H-C only)
- Suitable for LED street lighting and outdoor LED lighting

12 Volt Drivers or 24 Volt Drivers

FEG-40H	40 Watt Driver	\$105
FEG-80-12	80 Watt Driver	\$135
FEG-120-12	120 Watt Driver	\$169
FEG-150-12	150 Watt Driver	\$170
FEG-240-12	240 Watt Driver	\$227
FEG-320-12	320 Watt Driver	\$306
FEG-480-12	480 Watt Driver	\$455
FEG-600-12	600 Watt Driver	\$651

Orders, current stocked inventory, tech support - email; mcwo3llc@gmail.com

Note: Pricing subject to change without notice

Page 21

Support, Pricing and Terms of sale POLICY

Our wholesale pricing is designed to simplify customer communications.

PRICING: Wholesale List pricing Catalog

Your cost discount x _____
territory manager _____
& cell # _____

for shop drawing, design or tech support
contact office (813) 431-7063
or email: mcwo3llc@gmail.com

REQUEST - Samples, Marketing Product catalogs, Trade show request, and Product Catalogs - email: mcwo3llc@gmail.com

TERMS: Dealers/Contractors check or credit card with PO / order
(credit card payment subject to standard .035% CC charge)

FREIGHT: FOB warehouse / factory

ORDERS: To place an order and check inventory availability

Call (813) 431-7063 or e-mail: mcwo3llc@gmail.com

WARRANTY: All products in this catalog are covered by our 1 year warranty

RETURNS: Accepted with 50% restocking and freight pre-paid back to our location
Email for RAG #

TECH SUPPORT; 9 am - 5 pm EST call (813) 431-7063 direct or email - mcwo3llc@gmail.com / **schedule a phone meeting**

**Specialty Product Manufacturer,
Designer and Consultants**

The logo for Fountain Equipment Group (FEG) features the letters 'FEG' in a large, bold, blue, italicized sans-serif font.

Established 1998

Fountain Equipment Group

email; mcwo3llc@gmail.com

Apopka, Florida Granbury, Texas