

# SEG AQUATICS

2024 Product Catalog

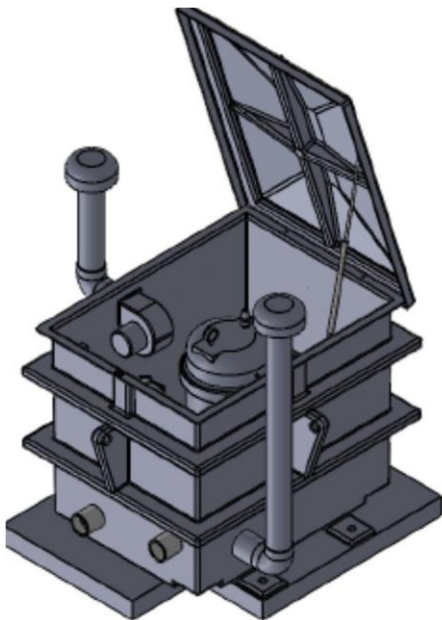
12-1-23

Fountain Equipment  
Collector Tanks

Vaults

Filter Tanks

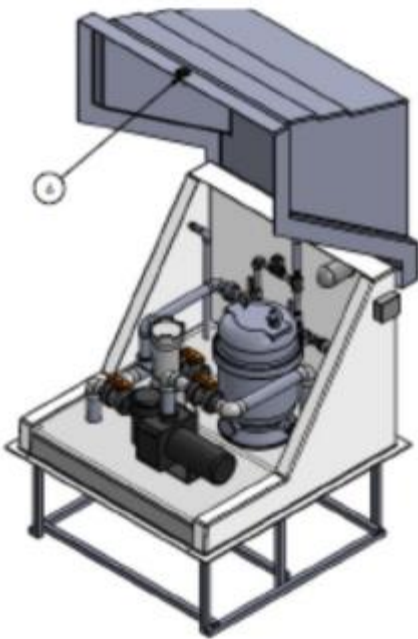
Parts plus



239-560-5207 office

813-431-7063 direct

mcwseg@gmail.com



On-Grade Systems



In-Ground Surge Tanks



Main Drain Sumps

## Collector tank parts / valves, auto fill

**AP-FWT**

**\$102**

Fresh Water Toro Valve



**AP-FWT**

**\$135**

Fresh Water 1 in Toro Valve assy  
w/ water hammer



**AP-FWHBB**

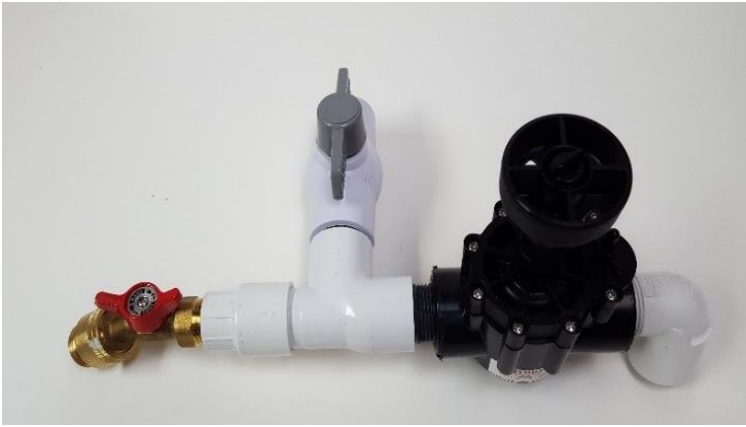
**\$35**

Brass Hose Bibb

**AP-FWVBV**

**\$16**

Brass Vacuum Breaker



**AP-FWTVA**      **\$280**

**Fresh Water Toro Valve Manifold (shipped boxed knocked down)**

1 in Toro valve,  $\frac{3}{4}$  in hose bib with vac breaker, 6ft black tubing, all other necessary fitting **as shown**



**AP-WBFA**      **\$240**

Roberts Style  $\frac{3}{4}$  in MPT **plastic auto fill valve** assembly, 16 in stainless steel rod, float ball, hose bibb w/ vacuum breaker **(shipped boxed knocked down)**

**AP-FWPV**      **\$72**

Roberts Style  $\frac{3}{4}$  in MPT plastic valve

**AP-FWPV-B**      **\$40**

6 in plastic float ball

**AP-FWBSS-16**      **\$21**

16 in stainless steel ball float rod



**AP-FTA**      **\$280**

Float Tray Assembly compression union, float tray, 5 ft tubing and fittings **(shipped boxed knocked down)**



**AP-FTT**      tubing per foot      **\$4**

**AP-CF**

Compression Union fitting with gasket

**\$40**



**AP-TVRI**

**\$55**

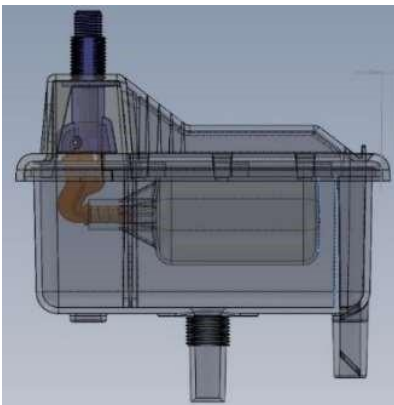
Repair Insert

(threaded rod guide machined solid plastic)

**AP-TVH**

**\$50**

Tank Valve Handel



**AP-FT**

**\$78**

Water Level Clear Float Tray NSF listed  
Length 6 in x Width 2.5 in x Height 4 in

## Cabinet and Tank LID LIFTERS

**AP-LL**

50lb or 100 lb Gas Shock Lid Lifter

**\$275 ea**

**AP-LL-H**

Stainless Steel Hardware kit

**\$170 ea**

**AP-LL-Hinge**

clear swing SS lid hinge

**\$ 75 ea**

## Gauges - Pressure and Vacuum

Stainless Steel Liquid filled

**AP-PG**

Pressure Gauge 2.5 in dia. w/  $\frac{1}{4}$  in brass NPT

**\$ 65 ea**

**AP-VG**

Vacuum Gauge 2.5 in dia. w/  $\frac{1}{4}$  in brass NPT

**\$ 65 ea**



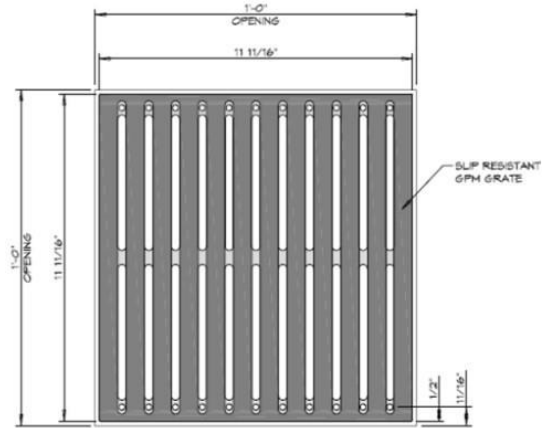
# Main Drain Sump



**FRP Sump**



**VGB Frame and Grate**



**IWF Frame and Flat Grate**

**MAIN DRAIN SUMPS** - heavy-duty fibreglass main drain sumps are Built to NSF Certified to ASME A112.19.8a 2008 and NSF / SOFA. Saves hours of forming and eliminates potential leaks. Fabricated with a smooth white NSF gelcoat interior and thick-strong resin / fibreglass exterior.

**MD9-12**                                    **9x19x12**                                    **\$412**

Fiberglass sump / sch 40 coupling fittings 3 in side 2 in bottom

**MD12-12**                                    **12x12x12**                                    **\$452**

Fiberglass sump / sch 40 coupling fittings 4 in side 2 in bottom

**MD12-18**                                    **12x12x18**                                    **\$660**

Fiberglass sump / sch 40 coupling fittings 6 in side 2 in bottom

**MD12-24**                                    **12x12x24**                                    **\$770**

Fiberglass sump **water stop** / sch 40 coupling fittings 8 in side 2 in bottom

**MD18-24**                                    **18x18x24**                                    **\$1,320**

Fiberglass sump **water stop** / sch 40 coupling fittings 8 in side 2 in bottom

**MD24-24**                                    **24x24x24**                                    **\$1,622**

Fiberglass sump **water stop** / sch 40 coupling fittings 8 in side 2 in bottom

**MD18-36**                                    **18x36x24**                                    **\$1,677**

Fiberglass sump **water stop** / sch 40 coupling fittings 8 in side 2 in bottom

**MD18-36-28**                                    **18x36x28**                                    **\$1,842**

Fiberglass sump **water stop** / sch 40 coupling fittings 10 in side 2 in bottom

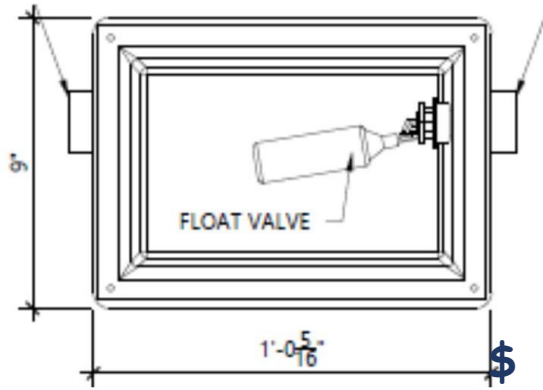
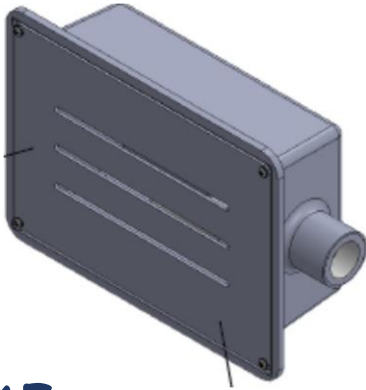
### **Backwash Sumps available**

<b>9x9x12</b>	<b>\$325</b>	<b>12x112x12</b>	<b>\$350</b>	<b>12x112x18</b>	<b>\$550</b>
<b>18x118x24</b>	<b>\$1,150</b>			<b>24x124x24</b>	<b>\$1,425</b>



**Water Stop PVC Coupling fittings built to order, email for pricing**

# Side Wall Auto Fill



## AP-SWAF

Fiberglass body, Plastic front plate **BLACK**, float valve assy, 1" **\$480**  
fresh water, 1" overflow slip female connection

## AP-SWFVA

Adjustable float valve assy. **Additional** front plate plastic **\$ 38**  
Colors: gray, white, tan and **Aluminum powder coated**

# Portable Deck Vac System

## On-Deck Portable Vac System

- **Sturdy**
- **Easy to roll on Pool Deck**
- **Powerful**
- **System Complete**

**AP-PVS-75** 35 ft power cord GFCI,  
1 hp pump, 75 cartridge filter **\$ 2,145**

**AP-PVS-100** 35 ft power cord GFCI,  
1.5 hp pump, 100 cartridge filter **\$ 2,428**



# Support, Pricing and Terms of sale POLICY

Our wholesale pricing is designed to simplify customer communications.

**PRICING:** Wholesale List pricing Catalog

Your cost discount x \_\_\_\_\_  
**territory manager** \_\_\_\_\_  
& cell # \_\_\_\_\_

for shop drawing, design or tech support  
**contact office** (239) 560-5207  
or email: [rdcseg@gmail.com](mailto:rdcseg@gmail.com)

**REQUEST** - Samples, Marketing Product catalogs, Trade show - email: [rdcseg@gmail.com](mailto:rdcseg@gmail.com)

**TERMS:** Dealers/Contractors check or credit card with PO / order  
(credit card payment subject to standard .035% CC charge)

**FREIGHT:** FOB Factory - email for freight quotes [rdcseg@gmail.com](mailto:rdcseg@gmail.com)

**ORDERS:** To place an order and check inventory availability

**Call:** (239) 560-5207 or **e-mail:** [rdcseg@gmail.com](mailto:rdcseg@gmail.com)

**WARRANTY:** All products in this catalog are covered by our 1 year

**RETURNS;** Accepted with 50% restocking and freight

**TECH SUPPORT;** 9 am - 5 pm EST email - [mcwseg@gmail.com](mailto:mcwseg@gmail.com)

If you can't find it here, **tell us what you need**, well find it or make it !!

**E-mail your request** [rdcseg@gmail.com](mailto:rdcseg@gmail.com)  
**Office - (239) 560-5207**

**SEG Aquatics, Inc**  
Mail; PO Box 655  
Glasgow, KY 42142

**Factory/Warehouse;**  
1320 West Main Street #20  
Glasgow, KY 42141

